



world
class
winches

Hydraulic Planetary Gear Winches

H70PX

Pneumatic freespool clutch Type No 73.07-079

7 TONNES WINCH WITH ROPE PAY-ON DEVICE



Pulling force

	Metric std.	US std. (approx.)
- bottom rope layer	7.0 tonnes	15 700 Lbs
- top rope layer	4.1 tonnes	9 000 Lbs

Rope speed

	Metric std.	US std. (approx.)
- bottom rope layer	8.0 m/min	26 ft/min
- top rope layer	13.5 m/min	44 ft/min

Rope speed in high auto 2-speed

	Metric std.	US std. (approx.)
- bottom rope layer	n/a	n/a
- top rope layer	n/a	N/a

Max oil pressure

180 bar 2600 psi

Max oil flow

60 l/min 16 gal/min

Drum diameter

126 mm 4.96 inch

Rope diameter

12 mm 0.47 inch

(Acc. to DIN 14584, MBL ≥ 138 kN)

Rope length

40 m 131 ft

Numbers of layers

5 5

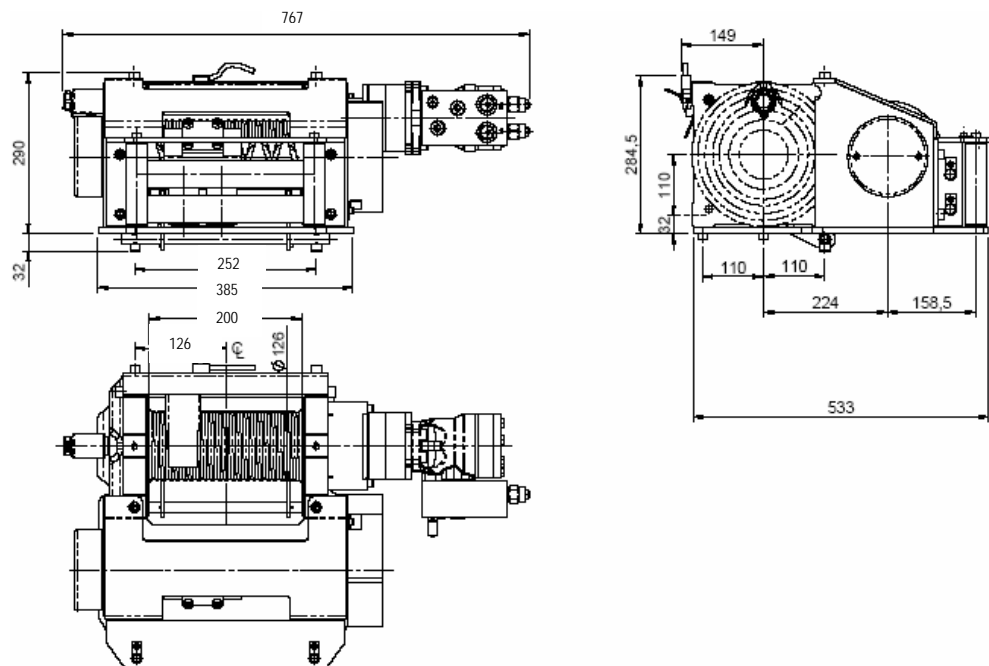
Winch weight

140 kg 309 Lbs

Rope weight

25 kg 56 Lbs

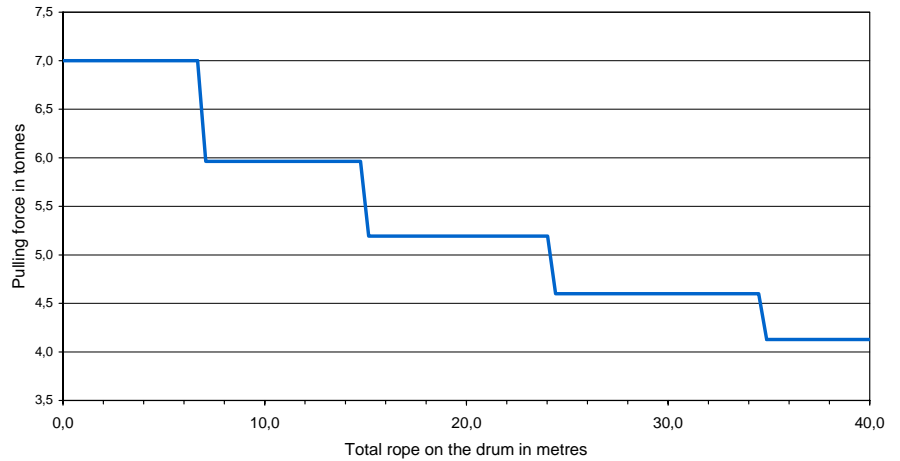
Dimensional drawing (dimensions in mm)



SEPSON AB
SE-780 50 Vansbro
Sweden
Tel +46 281 758 40
Fax +46 281 710 09
info@sepson.se
www.sepson.com

Pulling force over the rope length

	Pulling force (tonnes)	Rope speed (m/min)	Total Rope on the drum (m)
1st	7,0	8,0	6,9
2nd	6,0	9,5	15,0
3rd	5,2	11,0	24,2
4th	4,6	12,0	34,7
5th	4,1	13,5	46,4

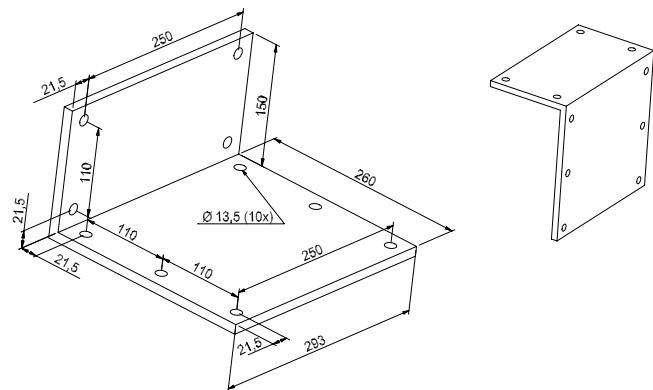


Mounting instructions

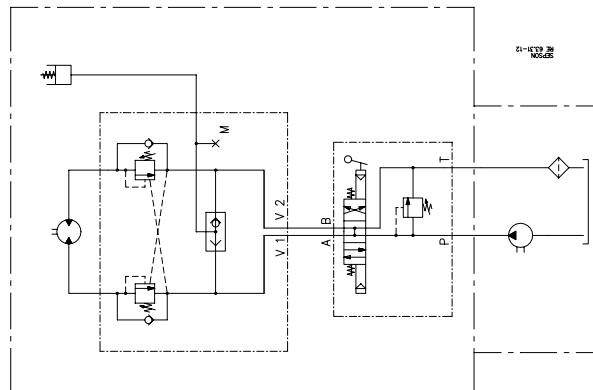
It is always best to seek advice on mounting the winch from SEPSON and the vehicle manufacturer as early as possible before the delivery of the winch.

The winch must be fitted to a mounting plate with 10 bolts M12 (hot galvanized) minimum quality 8.8.

Tightening torque 124 Nm (12.4 kpm) when oiled.



Hydraulic installation



SEPSON AB
SE-780 50 Vansbro
Sweden
Tel +46 281 758 40
Fax +46 281 710 09
info@sepson.se
www.sepson.com

Declaration of Conformity

According to the Machine Directive 98/37/EC, Annex IIA

Sepson AB, P.O. Box 172, SE-780 50 Vansbro, Sweden declare under our sole responsibility that:

The winch type 73.07 with serial numbers 846-1786

- are manufactured according to the Machine Directive 98/37/EC
- are manufactured according to following harmonized standards – EN 292-1 and 2

Vansbro December 9, 2005. **Sepson AB** Ulf Jons Designer