



world  
class  
winches

# Hydraulic Planetary Gear Winches

## H70PS

Pneumatic freespool clutch Type No 63.31-041

### 7 TONNES WINCH FOR SIDE MOUNTING



#### Pulling force

	Metric std.	US std. (approx.)
- bottom rope layer	7.0 tonnes	15 700 Lbs
- top rope layer	5.0 tonnes	11 200 Lbs

#### Rope speed

	Metric std.	US std. (approx.)
- bottom rope layer	8.0 m/min	26 ft/min
- top rope layer	12.0 m/min	39 ft/min

#### Rope speed in high auto 2-speed

	Metric std.	US std. (approx.)
- bottom rope layer	n/a	n/a
- top rope layer	n/a	n/a

#### Max oil pressure

140 bar 2000 psi

#### Max oil flow

60 l/min 16 gal/min

#### Drum diameter

257 mm 10.12 inch

#### Rope diameter

14 mm 0.55 inch

(Acc. to DIN 14584, MBL ≥ 138 kN)

#### Rope length

60 m 197 ft

#### Numbers of layers

5 5

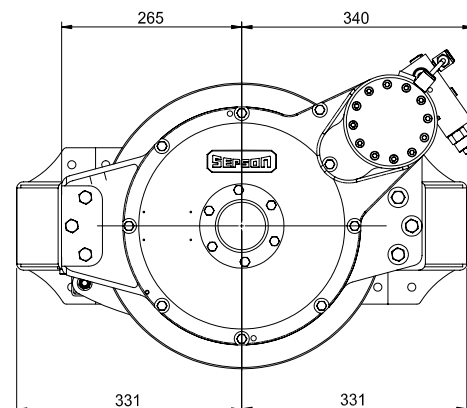
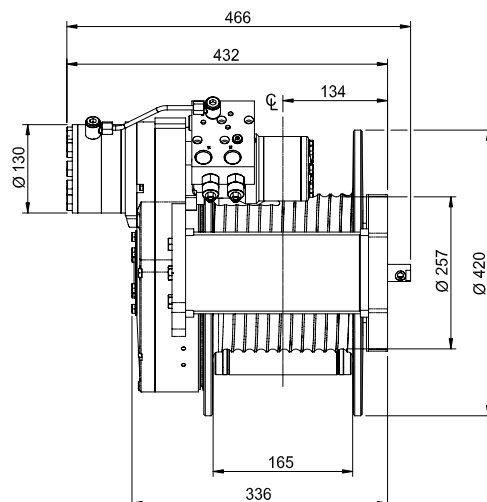
#### Winch weight

210 kg 472 Lbs

#### Rope weight

52 kg 115 Lbs

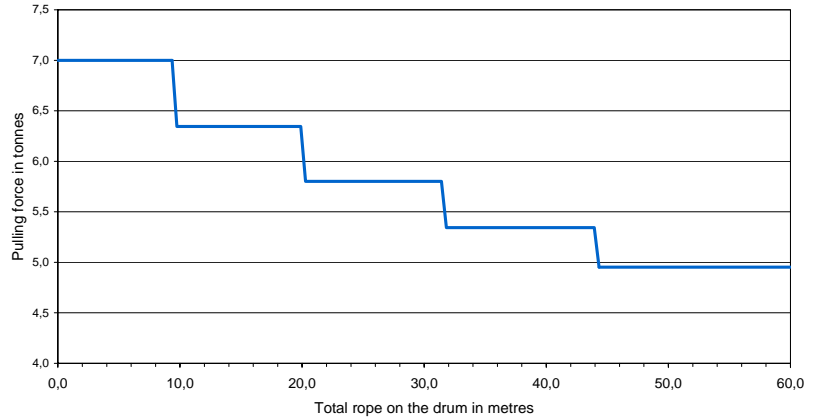
### Dimensional drawing (dimensions in mm)



SEPSON AB  
SE-780 50 Vansbro  
Sweden  
Tel +46 281 758 40  
Fax +46 281 710 09  
info@sepson.se  
www.sepson.com

### Pulling force over the rope length

	Pulling force (tonnes)	Rope speed (m/min)	Total Rope on the drum (m)
1st	7,0	8,0	9,6
2nd	6,3	9,0	20,1
3rd	5,8	10,0	31,6
4th	5,3	11,0	44,1
5th	5,0	12,0	57,6

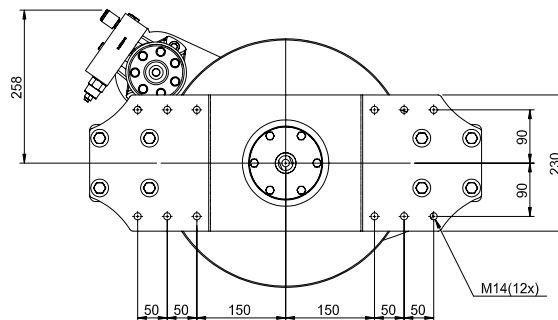


### Mounting instructions

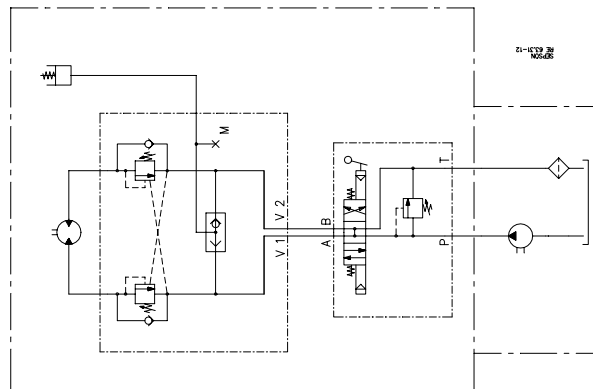
It is always best to seek advice on mounting the winch from both SEPSON and the vehicle manufacturer as early as possible before delivery of the winch.

The winch must be fitted with 12 bolts M14 (hot galvanized) minimum quality 8.8.

Tightening torque 120 Nm (12 kpm) when oiled.



### Hydraulic installation



#### Declaration of Conformity

According to the Machine Directive 98/37/EC, Annex IIA

**Sepson AB, P.O. Box 172, SE-780 50 Vansbro, Sweden** declare under our sole responsibility that:

The winch type 63.31 with serial numbers 1010-1962

- are manufactured according to the Machine Directive 98/37/EC
- are manufactured according to following harmonized standards – EN 292-1 and 2