



world  
class  
winches

# Hydraulic Planetary Gear Winches

## H70P

Pneumatic freespool clutch Type No 73.07-080

### 7 TONNES WINCH



#### Pulling force

	Metric std.	US std. (approx.)
- bottom rope layer	7.0 tonnes	15 700 Lbs
- top rope layer	4.4 tonnes	9 700 Lbs

#### Rope speed

	Metric std.	US std. (approx.)
- bottom rope layer	8.0 m/min	26 ft/min
- top rope layer	12.0 m/min	39 ft/min

#### Rope speed in high auto 2-speed

	Metric std.	US std. (approx.)
- bottom rope layer	n/a	n/a
- top rope layer	n/a	n/a

#### Max oil pressure

160 bar 2300 psi

#### Max oil flow

60 l/min 16 gal/min

#### Drum diameter

126 mm 4.96 inch

#### Rope diameter

14 mm 0.55 inch

(Acc. to DIN 14584, MBL ≥ 138 kN)

#### Rope length

30 m 98 ft

#### Numbers of layers

4 4

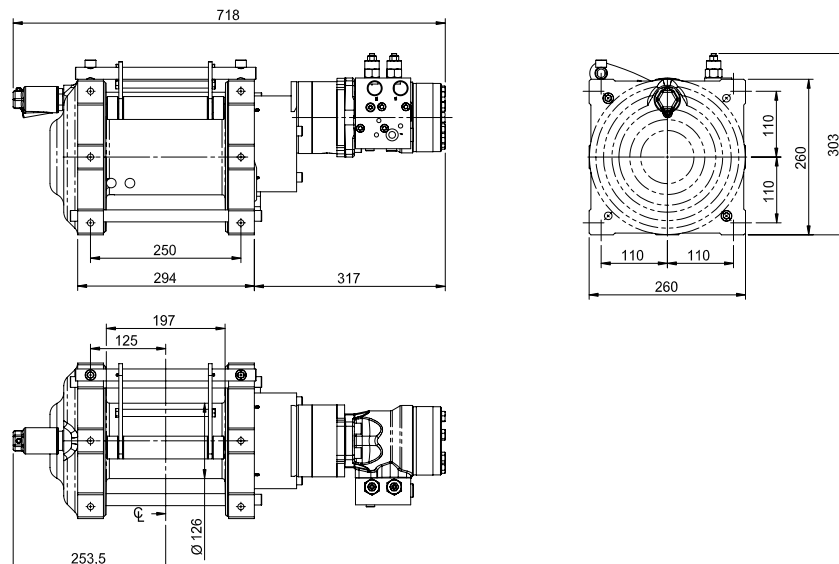
#### Winch weight

78 kg 175 Lbs

#### Rope weight

25 kg 56 Lbs

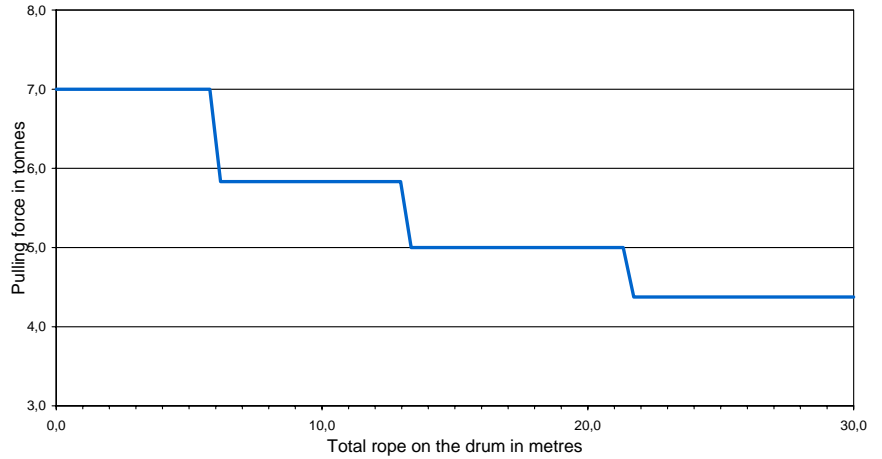
### Dimensional drawing (dimensions in mm)



SEPSON AB  
SE-780 50 Vansbro  
Sweden  
Tel +46 281 758 40  
Fax +46 281 710 09  
info@sepson.se  
www.sepson.com

### Pulling force over the rope length

	Pulling force (tonnes)	Rope speed (m/min)	Total Rope on the drum (m)
1st	7,0	8,0	6,0
2nd	5,8	9,0	13,2
3rd	5,0	10,5	21,5
4th	4,4	12,0	31,1

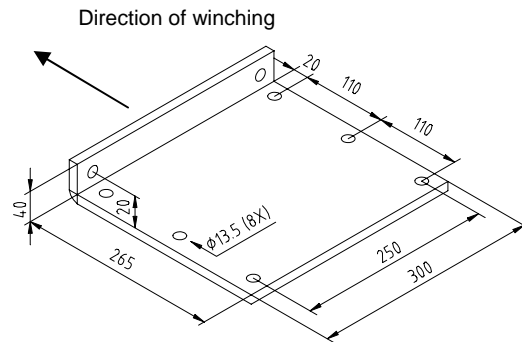


### Mounting instructions

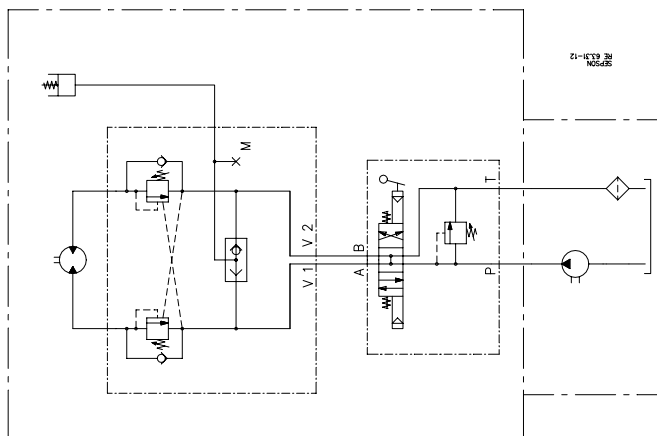
The winch should be mounted on a 12 mm steel mounting plate fixed to the vehicle.

The winch must be fitted to the mounting plate with 8 bolts M6S M12x35 (hot galvanized) minimum quality 8.8.

Tightening torque 124 Nm (12.4 kpm) when oiled.



### Hydraulic installation



#### Declaration of Conformity

According to the Machine Directive 98/37/EC, Annex IIA

**Sepson AB, P.O. Box 172, SE-780 50 Vansbro, Sweden** declare under our sole responsibility that:

The winch type 73.07 with serial numbers 846-1786

- are manufactured according to the Machine Directive 98/37/EC
- are manufactured according to following harmonized standards – EN 292-1 and 2

Vansbro March 11, 2008. **Sepson AB** Ulf Jons Designer