



world  
class  
winches

# Hydraulic Planetary Gear Winches

## H60PX

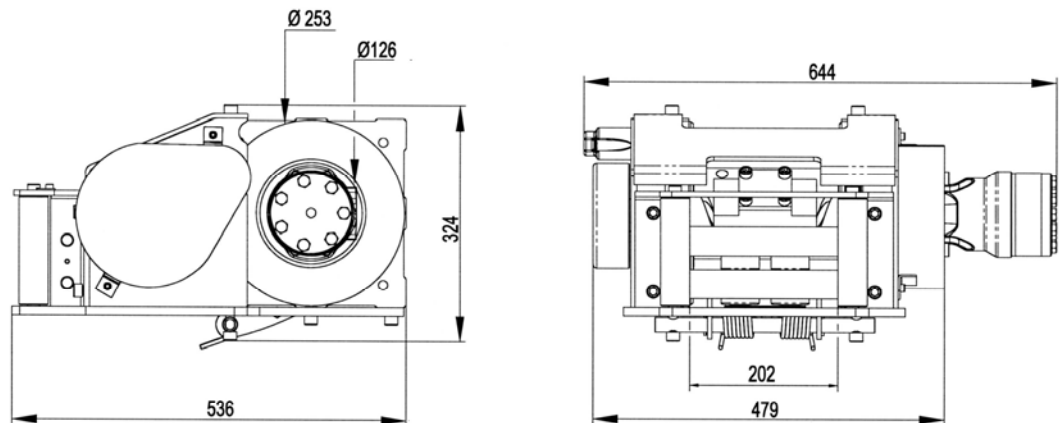
Pneumatic freespool clutch Type No 73.07-072

### 6 TONNES WINCH WITH ROPE PAY-ON DEVICE



	Metric std.	US std. (approx.)
<b>Pulling force</b>		
- bottom rope layer	6.0 tonnes	13 500 Lbs
- top rope layer	3.5 tonnes	7 800 Lbs
<b>Rope speed</b>		
- bottom rope layer	12.0 m/min	39 ft/min
- top rope layer	20.0 m/min	65 ft/min
<b>Rope speed in high auto 2-speed</b>		
- bottom rope layer	n/a	n/a
- top rope layer	n/a	N/a
<b>Max oil pressure</b>	200 bar	2900 psi
<b>Max oil flow</b>	60 l/min	16 gal/min
<b>Drum diameter</b>	126 mm	4.96 inch
<b>Rope diameter</b>	12 mm	0.47 inch
(Acc. to DIN 14584, MBL ≥ 118 kN)		
<b>Rope length</b>	40 m	131 ft
<b>Numbers of layers</b>	5	5
<b>Winch weight</b>	115 kg	258 Lbs
<b>Rope weight</b>	25 kg	56 Lbs

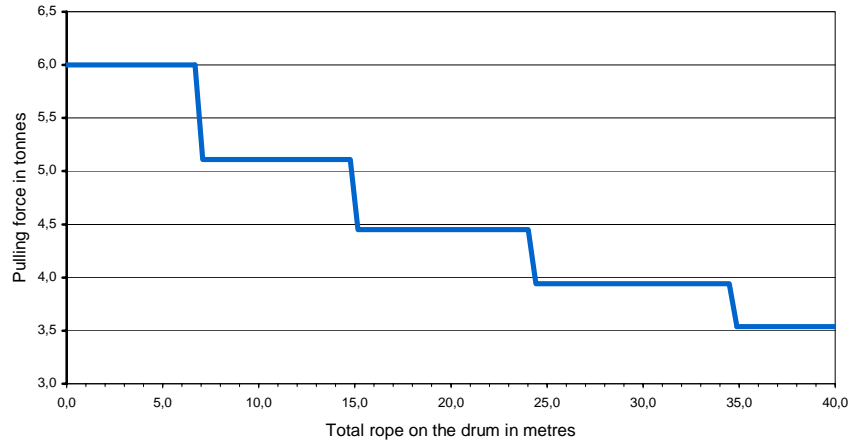
### Dimensional drawing (dimensions in mm)



SEPSON AB  
SE-780 50 Vansbro  
Sweden  
Tel +46 281 758 40  
Fax +46 281 710 09  
info@sepson.se  
www.sepson.com

### Pulling force over the rope length

	Pulling force (tonnes)	Rope speed (m/min)	Total Rope on the drum (m)
1st	6,0	12,0	6,9
2nd	5,1	14,0	15,0
3rd	4,5	16,0	24,2
4th	3,9	18,0	34,7
5th	3,5	20,0	46,4

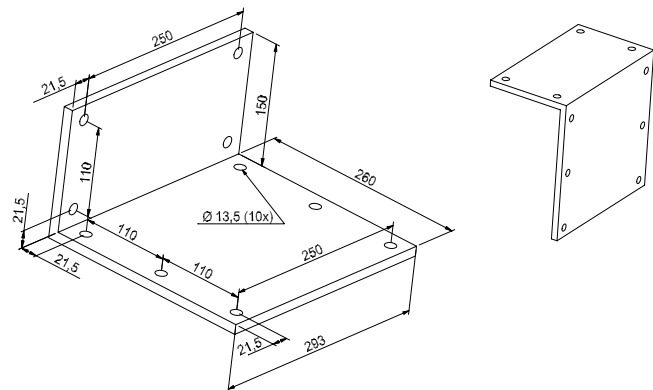


### Mounting instructions

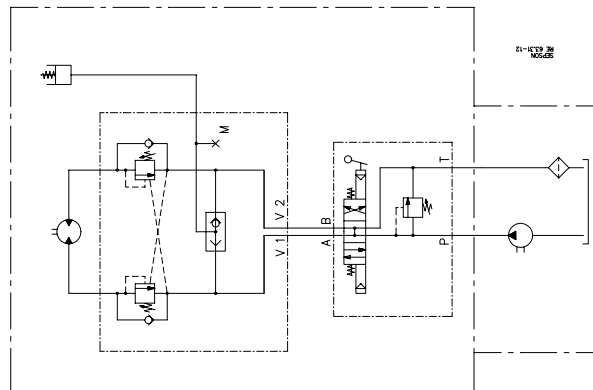
It is always best to seek advice on mounting the winch from SEPSON and the vehicle manufacturer as early as possible before the delivery of the winch.

The winch must be fitted to a mounting plate with 10 bolts M12 (hot galvanized) minimum quality 8.8.

Tightening torque 124 Nm (12.4 kpm) when oiled.



### Hydraulic installation



SEPSON AB  
SE-780 50 Vansbro  
Sweden  
Tel +46 281 758 40  
Fax +46 281 710 09  
info@sepson.se  
www.sepson.com

#### Declaration of Conformity

According to the Machine Directive 98/37/EC, Annex IIA

**Sepson AB, P.O. Box 172, SE-780 50 Vansbro, Sweden** declare under our sole responsibility that:

The winch type 73.07 with serial numbers 846-1786

- are manufactured according to the Machine Directive 98/37/EC
- are manufactured according to following harmonized standards – EN 292-1 and 2

Vansbro December 9, 2005. **Sepson AB** Ulf Jons Designer