



world
class
winches

Hydraulic Planetary Gear Winches

H60P

Manual freespool clutch
Pneumatic freespool clutch

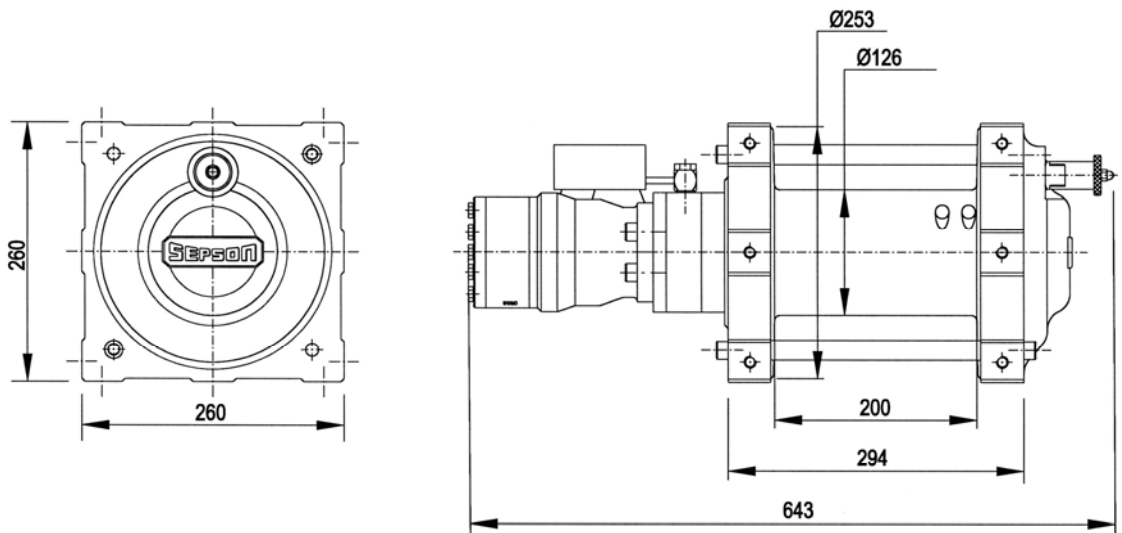
Type No 73.07-056
Type No 73.07-057

6 TONNES WINCH



	Metric std.	US std. (approx.)
Pulling force		
- bottom rope layer	6.0 tonnes	13 500 Lbs
- top rope layer	3.9 tonnes	8 800 Lbs
Rope speed		
- bottom rope layer	10.0 m/min	33 ft/min
- top rope layer	16.0 m/min	52 ft/min
Rope speed in high auto 2-speed		
- bottom rope layer	n/a	n/a
- top rope layer	n/a	n/a
Max oil pressure	195 bar	2800 psi
Max oil flow	60 l/min	16 gal/min
Drum diameter	126 mm	4.96 inch
Rope diameter	14 mm	0.55 inch
<small>(Acc. to DIN 14584, MBL ≥ 118 kN)</small>		
Rope length	30 m	98 ft
Numbers of layers	4	4
Winch weight	78 kg	175 Lbs
Rope weight	25 kg	56 Lbs

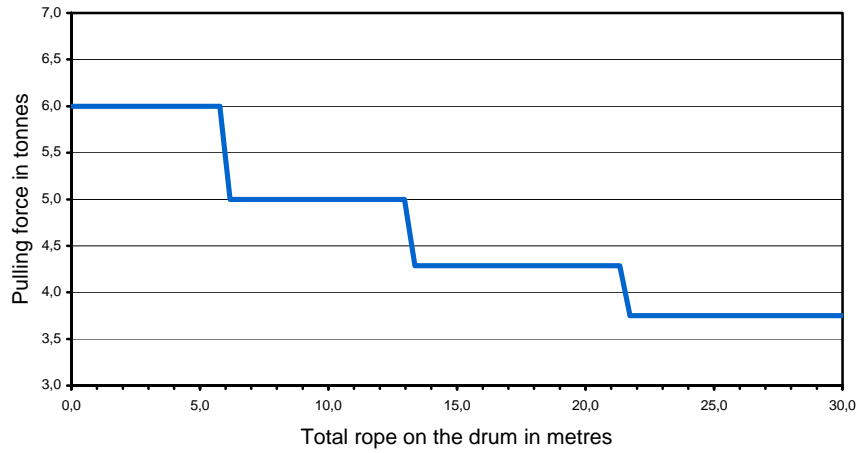
Dimensional drawing (dimensions in mm)



SEPSON AB
SE-780 50 Vansbro
Sweden
Tel +46 281 758 40
Fax +46 281 710 09
info@sepson.se
www.sepson.com

Pulling force over the rope length

	Pulling force (tonnes)	Rope speed (m/min)	Total Rope on the drum (m)
1st	6,0	10,0	6,0
2nd	5,0	12,0	13,2
3rd	4,3	14,0	21,5
4th	3,9	16,0	31,1

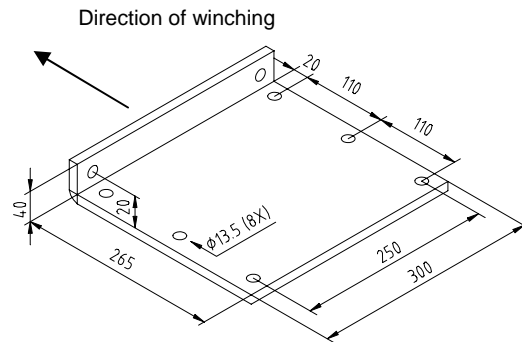


Mounting instructions

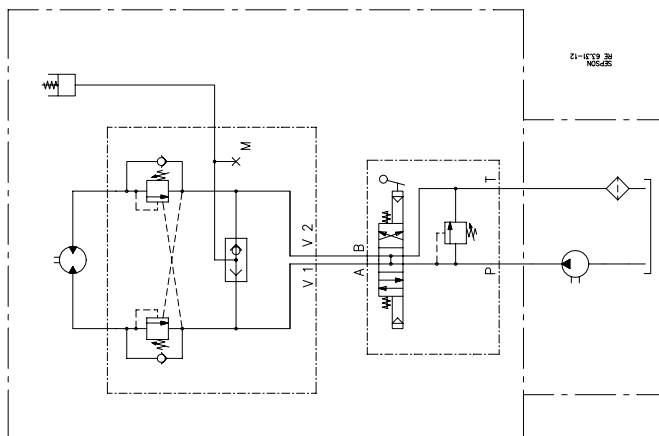
The winch should be mounted on a 12 mm steel mounting plate fixed to the vehicle.

The winch must be fitted to the mounting plate with 8 bolts M6S M12x35 (hot galvanized) minimum quality 8.8.

Tightening torque 124 Nm (12.4 kpm) when oiled.



Hydraulic installation



Declaration of Conformity

According to the Machine Directive 98/37/EC, Annex IIA

Sepson AB, P.O. Box 172, SE-780 50 Vansbro, Sweden declare under our sole responsibility that:

The winch type 73.07 with serial numbers 846-1786

- are manufactured according to the Machine Directive 98/37/EC
- are manufactured according to following harmonized standards – EN 292-1 and 2

Vansbro December 9, 2005. **Sepson AB** Ulf Jons Designer