



world
class
winches

Hydraulic Planetary Gear Winches

H50PE

Manual freespool clutch
Pneumatic freespool clutch

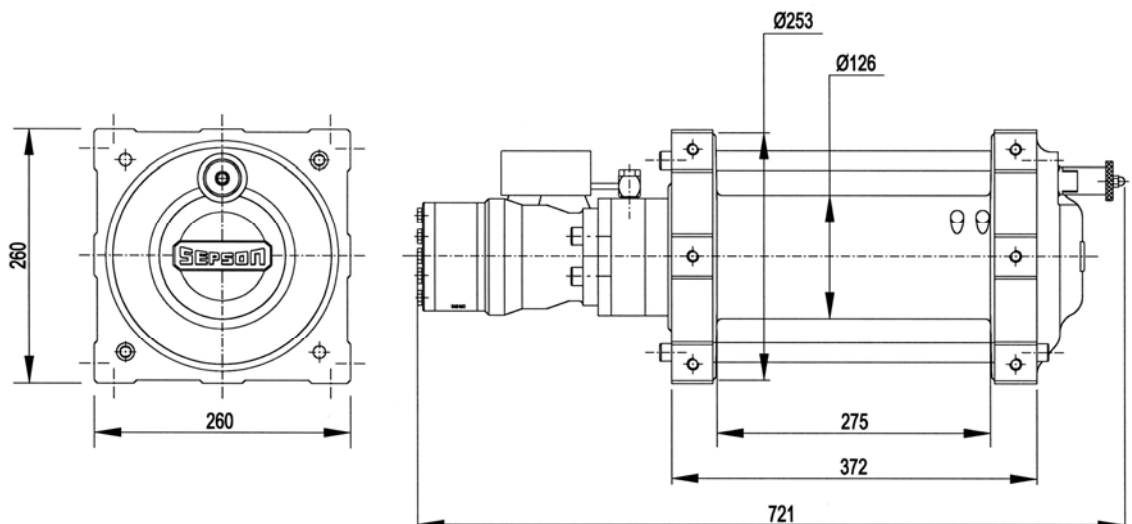
Type No 73.07-033
Type No 73.07-034

5 TONNES WINCH WITH EXTENDED ROPE DRUM



	Metric std.	US std. (approx.)
Pulling force		
- bottom rope layer	5.0 tonnes	11 200 Lbs
- top rope layer	3.6 tonnes	8 100 Lbs
Rope speed		
- bottom rope layer	12.0 m/min	39 ft/min
- top rope layer	17.0 m/min	56 ft/min
Rope speed in high auto 2-speed		
- bottom rope layer	n/a	n/a
- top rope layer	n/a	n/a
Max oil pressure		
Max oil flow		
	200 bar	2900 psi
	60 l/min	16 gal/min
Drum diameter		
Rope diameter		
	126 mm	4.96 inch
	14 mm	0.55 inch
(Acc. to DIN 14584, MBL ≥ 98 kN)		
Rope length		
Numbers of layers		
	30 m	98 ft
	3	3
Winch weight		
Rope weight		
	60 kg	135 Lbs
	25 kg	56 Lbs

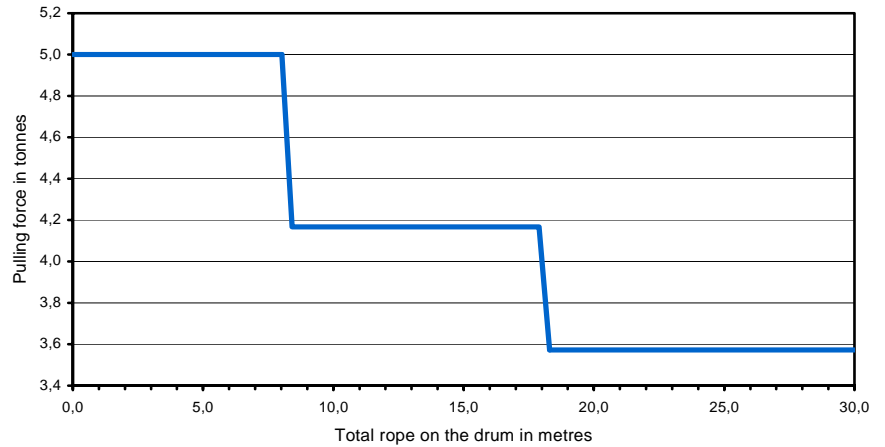
Dimensional drawing (dimensions in mm)



SEPSON AB
SE-780 50 Vansbro
Sweden
Tel +46 281 758 40
Fax +46 281 710 09
info@sepson.se
www.sepson.com

Pulling force over the rope length

	Pulling force (tonnes)	Rope speed (m/min)	Total Rope on the drum (m)
1st	5,0	12,0	8,2
2nd	4,2	14,5	18,1
3rd	3,6	17,0	29,6

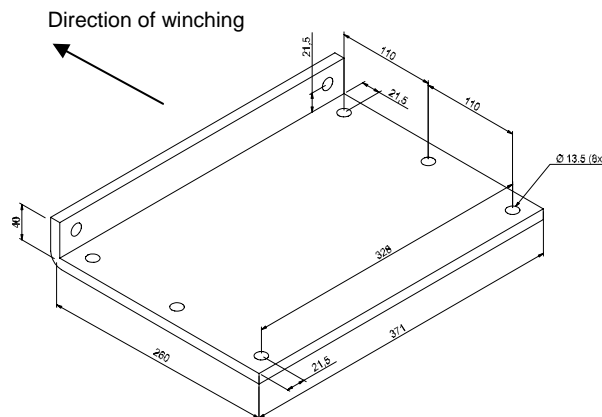


Mounting instructions

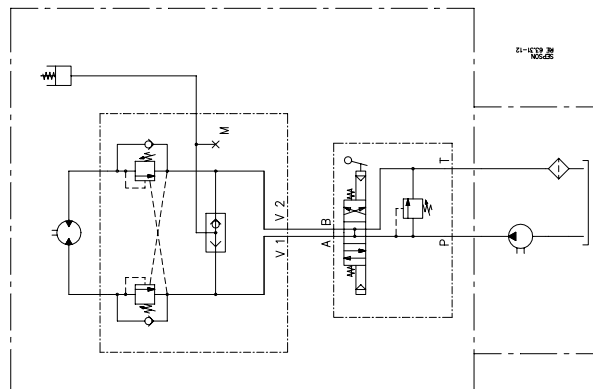
The winch should be mounted on a 12 mm steel mounting plate fixed to the vehicle.

The winch must be fitted to the mounting plate with 8 bolts M6S M12x35 (hot galvanized) minimum quality 8.8.

Tightening torque 124 Nm (12.4 kpm) when oiled.



Hydraulic installation



SEPSON AB
SE-780 50 Vansbro
Sweden
Tel +46 281 758 40
Fax +46 281 710 09
info@sepson.se
www.sepson.com

Declaration of Conformity

According to the Machine Directive 98/37/EC, Annex IIA

Sepson AB, P.O. Box 172, SE-780 50 Vansbro, Sweden declare under our sole responsibility that:

The winch type 73.07 with serial numbers 846-1786

- are manufactured according to the Machine Directive 98/37/EC
- are manufactured according to following harmonized standards – EN 292-1 and 2

Vansbro December 9, 2005. **Sepson AB** Ulf Jons Designer