

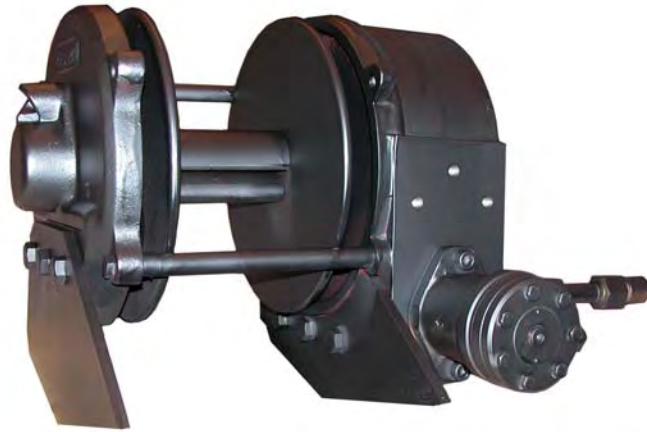


H40W

Model 62.54-033



Winch for Textile Bands



Winch Data

	Metric Std	US. Std
Pulling force		
- bottom layer	4.0 tonnes	9 000 Lbs
- top layer	1.8 tonnes	4 000 Lbs
Rope speed		
- bottom layer	4.0 m/min	13 ft/min
- top layer	12.0 m/min	39 ft/min
Max oil pressure	125 bar	1 800 psi
Max oil flow	60 l/min	16 gal/min
Drum diameter	75 mm	2.95 inch
Band width	150 mm	5.91 inch
Band thickness	5 mm	0.20 inch
Band length	11 m	36 ft
Numbers of band layers	22	22
Winch weight	130 Kg	292 Lbs
Band weight	12 Kg	27 Lbs

Dimensional drawing. (*Dimensions in mm*).

