



world
class
winches

Hydraulic Planetary Gear Winches

H400PX

Pneumatic freespool clutch Type No 63.35-012

40 TONNES WINCH WITH PAY ON DEVICE



Pulling force

	Metric std.	US std. (approx.)
- bottom rope layer	40.0 tonnes	88 250 Lbs
- top rope layer	27.0 tonnes	60 000 Lbs

Rope speed in low auto 2-speed

	Metric std.	US std. (approx.)
- bottom rope layer	3.0 m/min	10 ft/min
- top rope layer	4.5 m/min	15 ft/min

Rope speed in high auto 2-speed

	Metric std.	US std. (approx.)
- bottom rope layer	6.0 m/min	20 ft/min
- top rope layer	9.0 m/min	30 ft/min

Max oil pressure

210 bar 3000 psi

Max oil flow

70 l/min 18 gal/min

Drum diameter

320 mm 12.60 inch

Rope diameter

28 mm 1.10 inch

(Acc. to DIN 14584, MBL ≥ 785 kN)

Rope length

80 m 262 ft

Numbers of layers

4 4

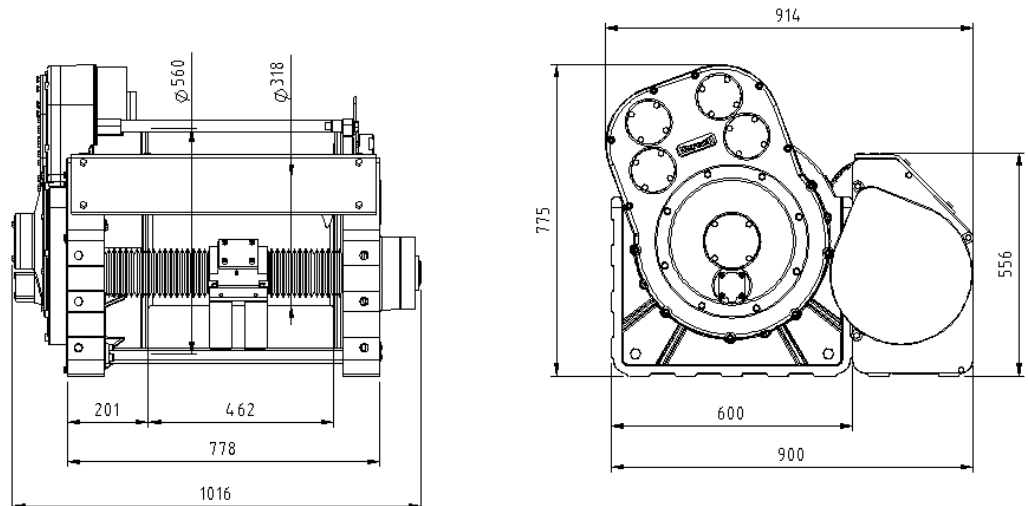
Winch weight

810 kg 1786 Lbs

Rope weight

307 kg 678 Lbs

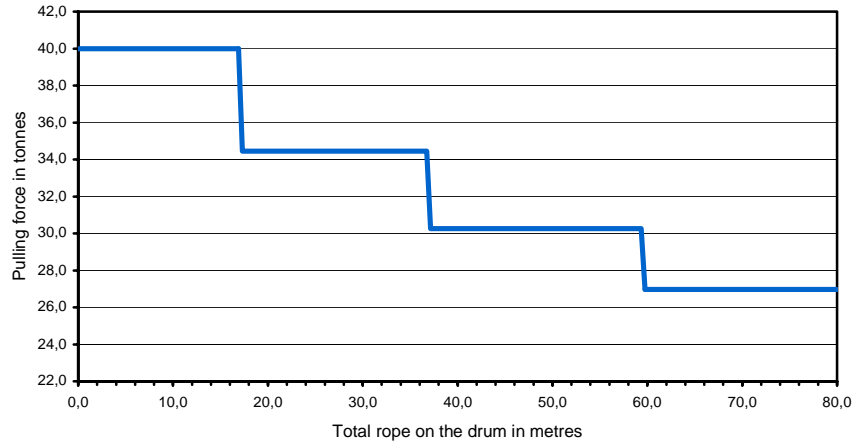
Dimensional drawing (dimensions in mm)



SEPSO AB
SE-780 50 Vansbro
Sweden
Tel +46 281 758 40
Fax +46 281 710 09
info@sepson.se
www.sepson.com

Pulling force over the rope length

	Pulling force (tonnes)	Rope speed (m/min)	Total Rope on the drum (m)
1st	40,0	3,0	17,1
2nd	34,5	3,5	36,9
3rd	30,3	4,0	59,5
4th	27,0	4,5	84,9

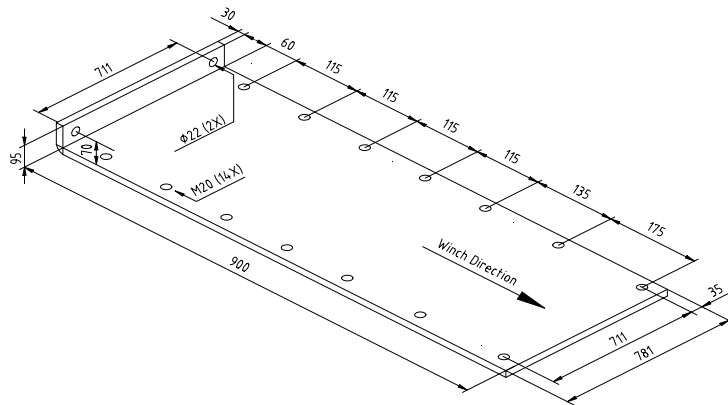


Mounting instructions

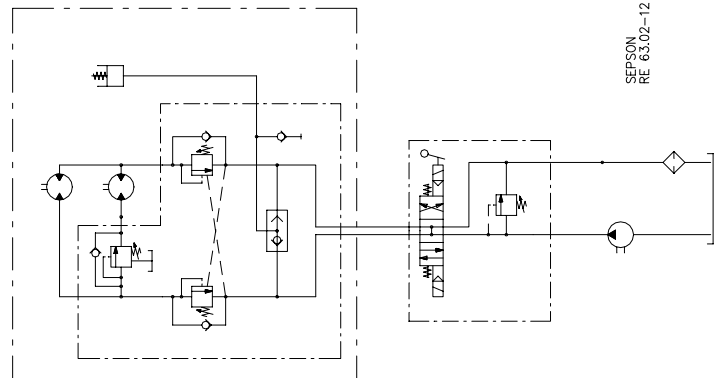
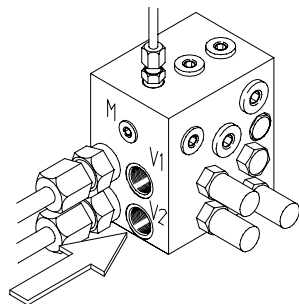
The winch should be mounted on a 30 mm steel mounting plate fixed to the vehicle.

The winch must be fitted to the mounting plate with 16 bolts MC6S M20x60 quality 12.9 and Loc-King nuts.

Tightening torque 420 Nm (42 kpm) when oiled.



Hydraulic installation



Declaration of Conformity

According to the Machine Directive 98/37/EC, Annex IIA

Sepson AB, P.O. Box 172, SE-780 50 Vansbro, Sweden declare under our sole responsibility that:

The winch type 63.35 with serial numbers 100-500

- are manufactured according to the Machine Directive 98/37/EC
- are manufactured according to following harmonized standards – EN 292-1 and 2