



world
class
winches

Hydraulic Planetary Gear Winches

H38P

Manual freespool clutch
Pneumatic freespool clutch

Type No 73.06-016
Type No 73.06-017

3.8 TONNES WINCH



Pulling force

	Metric std.	US std. (approx.)
- bottom rope layer	3.8 tonnes	8 500 Lbs
- top rope layer	2.4 tonnes	5 400 Lbs

Rope speed

	Metric std.	US std. (approx.)
- bottom rope layer	12.0 m/min	39 ft/min
- top rope layer	19.0 m/min	62 ft/min

Rope speed in high auto 2-speed

	Metric std.	US std. (approx.)
- bottom rope layer	n/a	n/a
- top rope layer	n/a	n/a

Max oil pressure

175 bar 2500 psi

Max oil flow

50 l/min 13 gal/min

Drum diameter

90 mm 3.54 inch

Rope diameter

10 mm 0.39 inch

(Acc. to DIN 14584, MBL ≥ 75 kN)

Rope length

30 m 98 ft

Numbers of layers

4 4

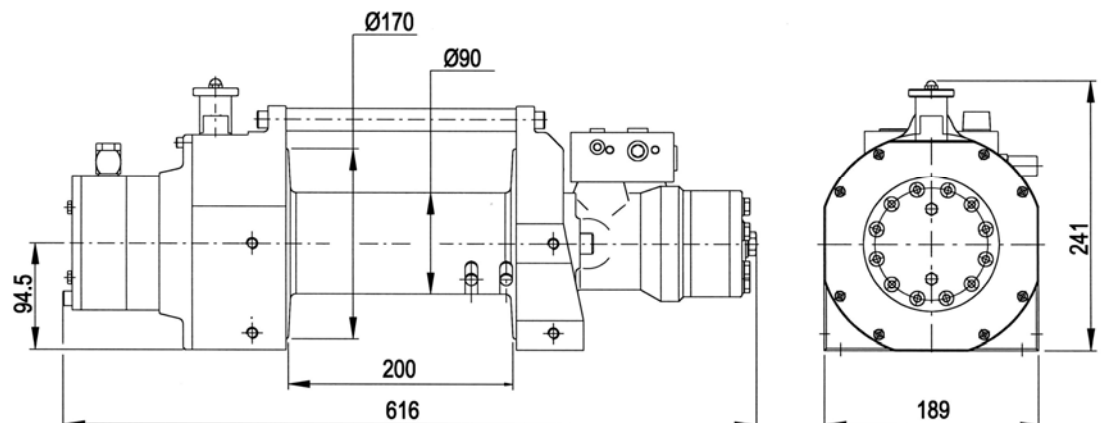
Winch weight

35 kg 79 Lbs

Rope weight

13 kg 29 Lbs

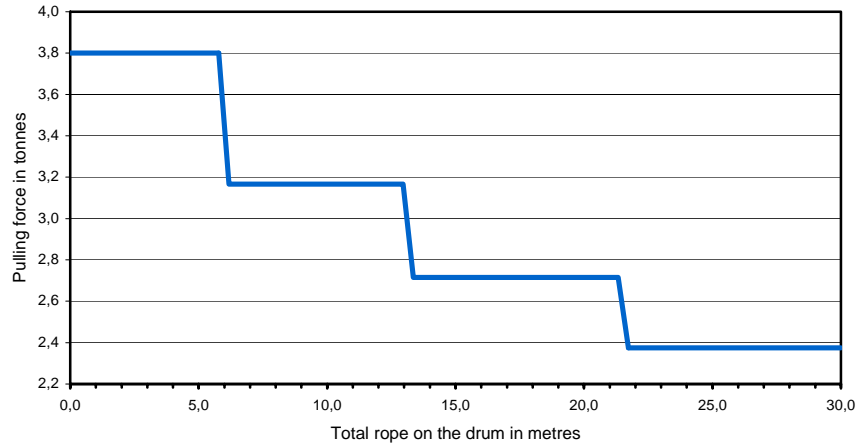
Dimensional drawing (dimensions in mm)



SEPSON AB
SE-780 50 Vansbro
Sweden
Tel +46 281 758 40
Fax +46 281 710 09
info@sepson.se
www.sepson.com

Pulling force over the rope length

	Pulling force (tonnes)	Rope speed (m/min)	Total Rope on the drum (m)
1st	3,8	12,0	6,0
2nd	3,2	14,5	13,2
3rd	2,7	17,0	21,5
4th	2,4	19,0	31,1

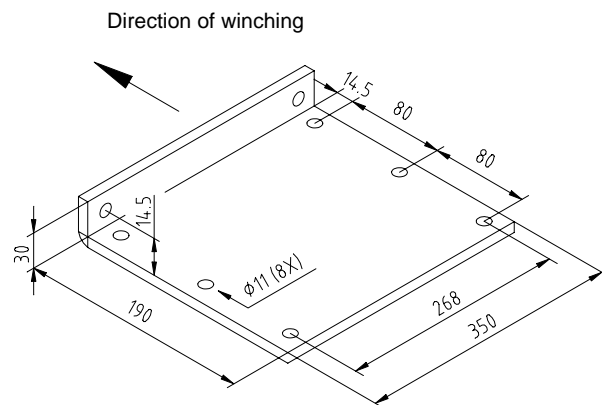


Mounting instructions

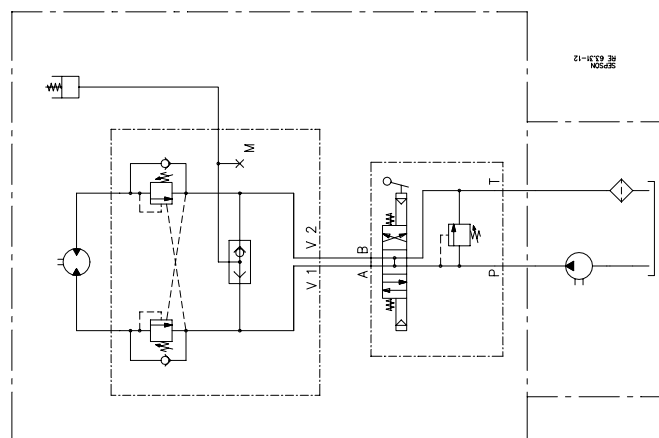
The winch should be mounted on a 10 mm steel mounting plate fixed to the vehicle.

The winch must be fitted to the mounting plate with 8 bolts M6S M10x30 (hot galvanized) minimum quality 8.8.

Tightening torque 50 Nm (5 kpm) when oiled.



Hydraulic installation



Declaration of Conformity

According to the Machine Directive 98/37/EC, Annex IIA

Sepson AB, P.O. Box 172, SE-780 50 Vansbro, Sweden declare under our sole responsibility that:

The winch type 73.06 with serial numbers 531-1512

- are manufactured according to the Machine Directive 98/37/EC
- are manufactured according to following harmonized standards – EN 292-1 and 2

Vansbro December 9, 2005. **Sepson AB** Ulf Jons Designer