



world
class
winches

Hydraulic Planetary Gear Winches

H240P

Pneumatic freespool clutch Type No 63.02-052

24 TONNES WINCH



Metric std. **US std.
(approx.)**

Pulling force

- bottom rope layer	24.0 tonnes	53 900 Lbs
- top rope layer	15.5 tonnes	34 800 Lbs

Rope speed in low auto 2-speed

- bottom rope layer	3.0 m/min	10 ft/min
- top rope layer	4.5 m/min	15 ft/min

Rope speed in high auto 2-speed

- bottom rope layer	9.0 m/min	30 ft/min
- top rope layer	14.0 m/min	46 ft/min

Max oil pressure

210 bar 3000 psi

Max oil flow

70 l/min 18 gal/min

Drum diameter

240 mm 9.45 inch

Rope diameter

24 mm 0.94 inch

(Acc. to DIN 14584, MBL ≥ 471 kN)

Rope length

60 m 197 ft

Numbers of layers

4 4

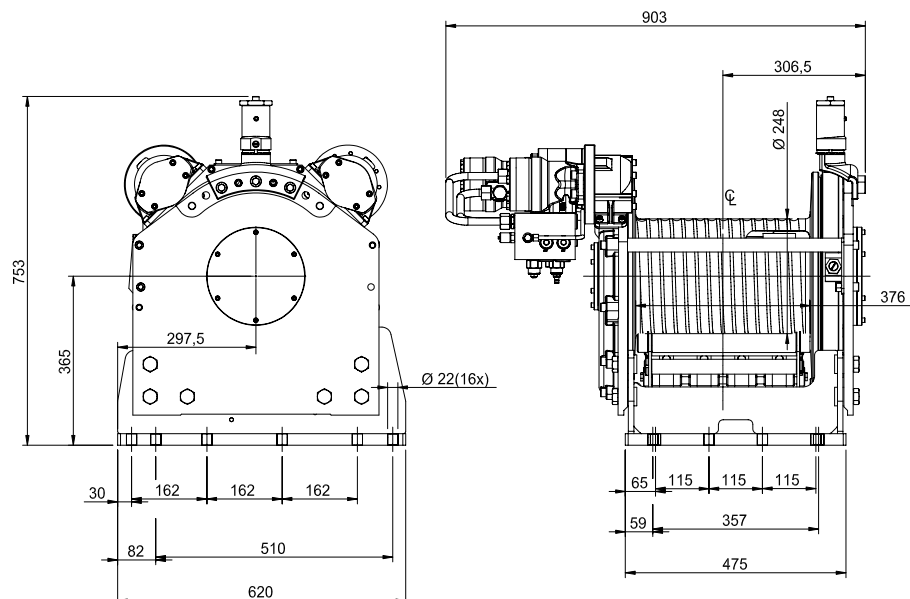
Winch weight

430 kg 948 Lbs

Rope weight

156 kg 350 Lbs

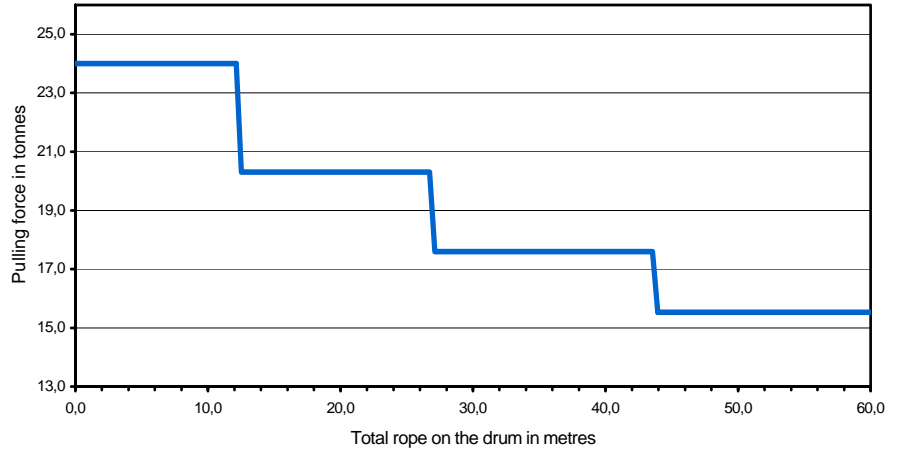
Dimensional drawing (dimensions in mm)



SEPSON AB
SE-780 50 Vansbro
Sweden
Tel +46 281 758 40
Fax +46 281 710 09
info@sepson.se
www.sepson.com

Pulling force over the rope length

	Pulling force (tonnes)	Rope speed (m/min)	Total Rope on the drum (m)
1st	24,0	3,0	12,3
2nd	20,3	3,5	26,9
3rd	17,6	4,0	43,7
4th	15,5	4,5	62,8

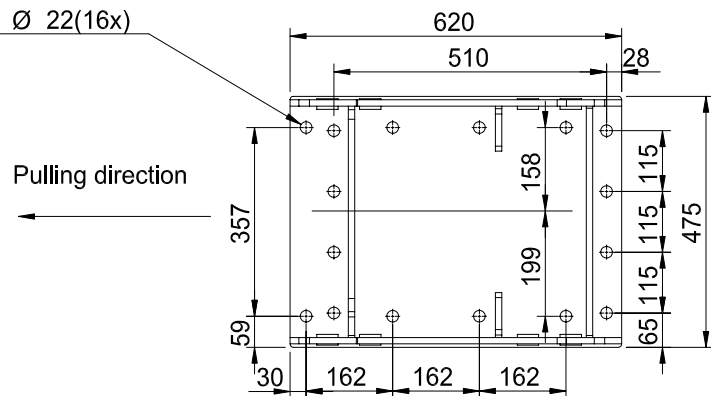


Mounting instructions

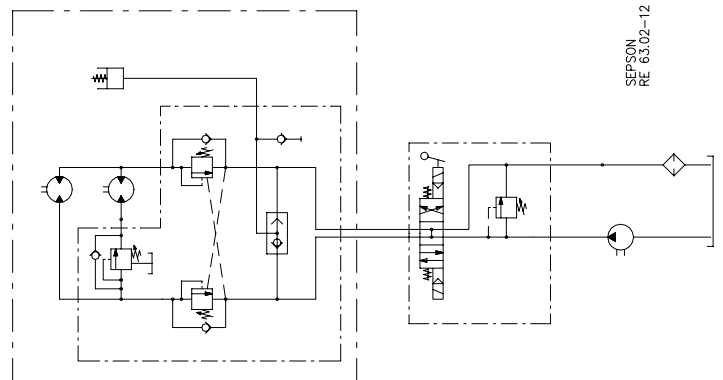
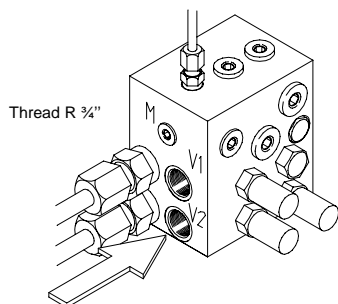
The winch should be mounted on a 25 mm steel mounting plate fixed to the vehicle.

The winch must be fitted to the mounting plate with 8 bolts MC6S M20x60 quality 8.8 and Loc-King nuts.

Tightening torque 380 Nm (38 kpm) when oiled.



Hydraulic installation



SEPSON
RE 63.02-12

Declaration of Conformity

According to the Machine Directive 98/37/EC, Annex IIA

Sepson AB, P.O. Box 172, SE-780 50 Vansbro, Sweden declare under our sole responsibility that:

The winch type 63.02 with serial numbers 242-1236

- are manufactured according to the Machine Directive 98/37/EC
- are manufactured according to following harmonized standards – EN 292-1 and 2