



world
class
winches

Hydraulic Planetary Gear Winches

H200P

Pneumatic freespool clutch Type No 63.02-051

20 TONNES WINCH



Pulling force

	Metric std.	US std. (approx.)
- bottom rope layer	20.0 tonnes	44 900 Lbs
- top rope layer	13.0 tonnes	29 200 Lbs

Rope speed in low auto 2-speed

	Metric std.	US std. (approx.)
- bottom rope layer	5.5 m/min	18 ft/min
- top rope layer	8.0 m/min	26 ft/min

Rope speed in high auto 2-speed

	Metric std.	US std. (approx.)
- bottom rope layer	10.0 m/min	33 ft/min
- top rope layer	15.0 m/min	49 ft/min

Max oil pressure

190 bar 2800 psi

Max oil flow

60 l/min 16 gal/min

Drum diameter

240 mm 9.45 inch

Rope diameter

24 mm 0.94 inch

(Acc. to DIN 14584, MBL ≥ 393 kN)

Rope length

60 m 197 ft

Numbers of layers

4 4

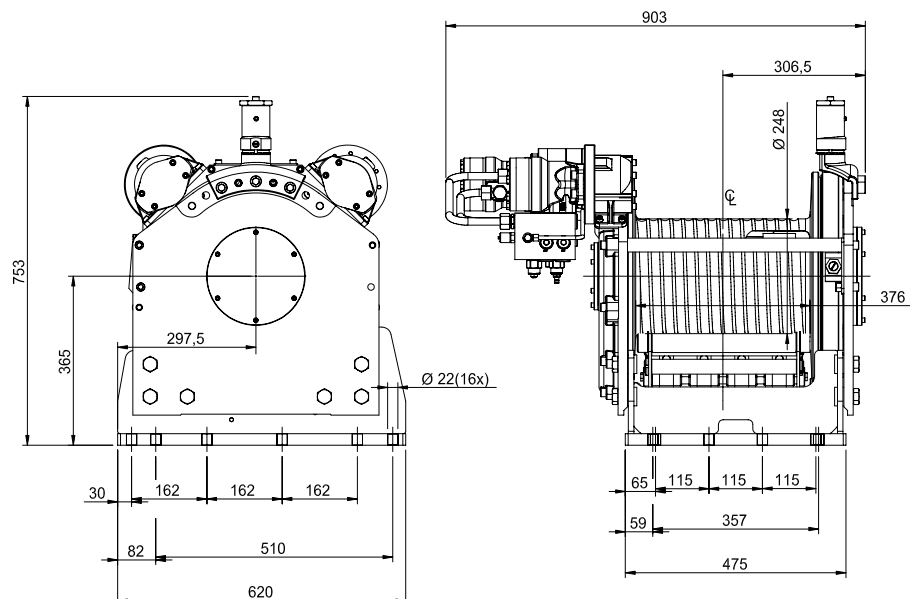
Winch weight

430 kg 948 Lbs

Rope weight

156 kg 350 Lbs

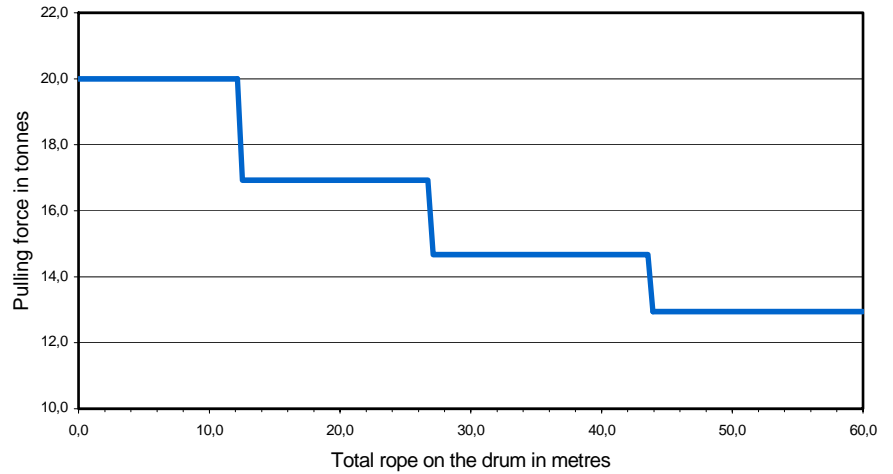
Dimensional drawing (dimensions in mm)



SEPSON AB
SE-780 50 Vansbro
Sweden
Tel +46 281 758 40
Fax +46 281 710 09
info@sepson.se
www.sepson.com

Pulling force over the rope length

	Pulling force (tonnes)	Rope speed (m/min)	Total Rope on the drum (m)
1st	20,0	5,5	12,3
2nd	16,9	6,0	26,9
3rd	14,7	7,0	43,7
4th	13,0	8,0	62,8

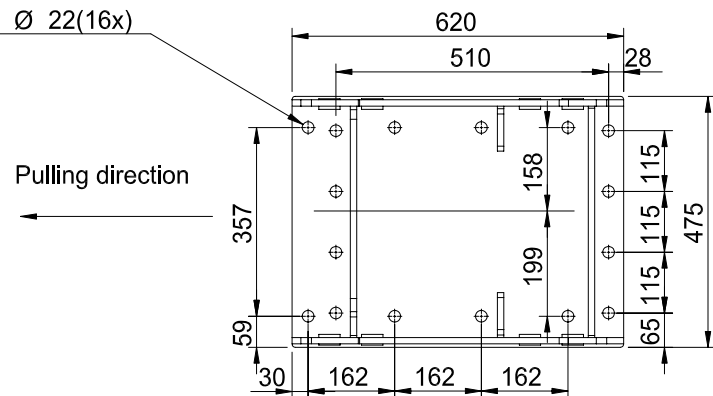


Mounting instructions

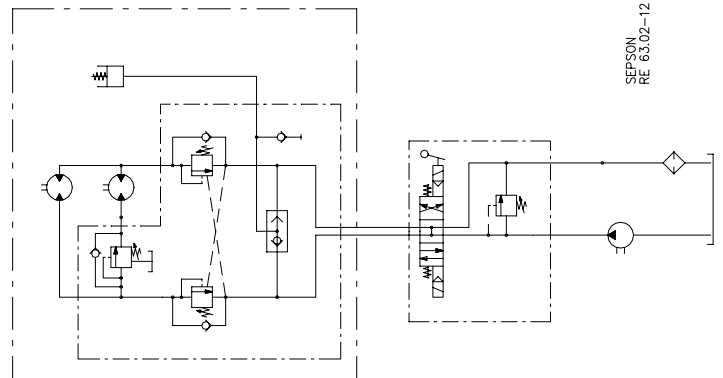
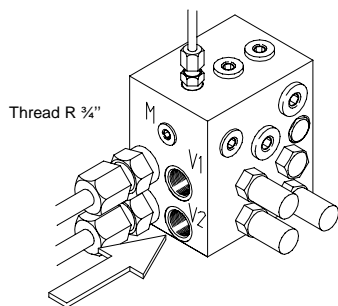
The winch should be mounted on a 20 mm steel mounting plate fixed to the vehicle.

The winch must be fitted to the mounting plate with 8 bolts MC6S M20x60 quality 8.8 and Loc-King nuts.

Tightening torque 380 Nm (38 kpm) when oiled.



Hydraulic installation



Declaration of Conformity

According to the Machine Directive 98/37/EC, Annex IIA

Sepson AB, P.O. Box 172, SE-780 50 Vansbro, Sweden declare under our sole responsibility that:

The winch type 63.02 with serial numbers 242-1236

- are manufactured according to the Machine Directive 98/37/EC
- are manufactured according to following harmonized standards – EN 292-1 and 2