



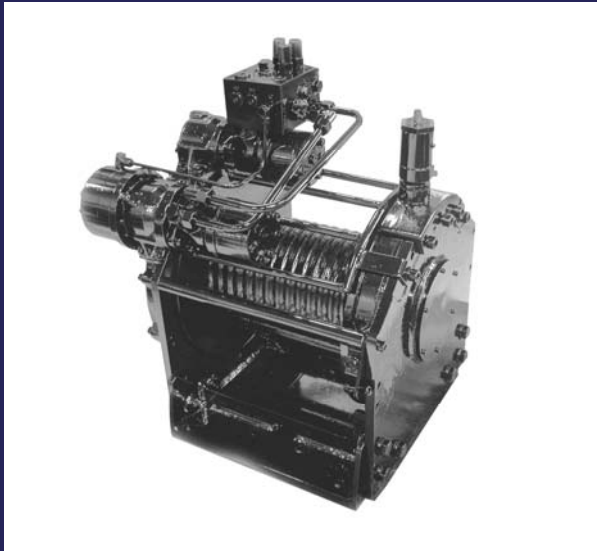
world
class
winches

Hydraulic Planetary Gear Winches

H200P

Pneumatic freespool clutch Type No 63.02-048

20 TONNES WINCH



Pulling force

	Metric std.	US std. (approx.)
- bottom rope layer	20.0 tonnes	44 900 Lbs
- top rope layer	13.0 tonnes	29 200 Lbs

Rope speed in low auto 2-speed

	Metric std.	US std. (approx.)
- bottom rope layer	5.5 m/min	18 ft/min
- top rope layer	8.0 m/min	26 ft/min

Rope speed in high auto 2-speed

	Metric std.	US std. (approx.)
- bottom rope layer	10.0 m/min	33 ft/min
- top rope layer	15.0 m/min	49 ft/min

Max oil pressure

190 bar 2800 psi

Max oil flow

60 l/min 16 gal/min

Drum diameter

240 mm 9.45 inch

Rope diameter

24 mm 0.94 inch

(Acc. to DIN 14584, MBL \geq 393 kN)

Rope length

60 m 197 ft

Numbers of layers

4 4

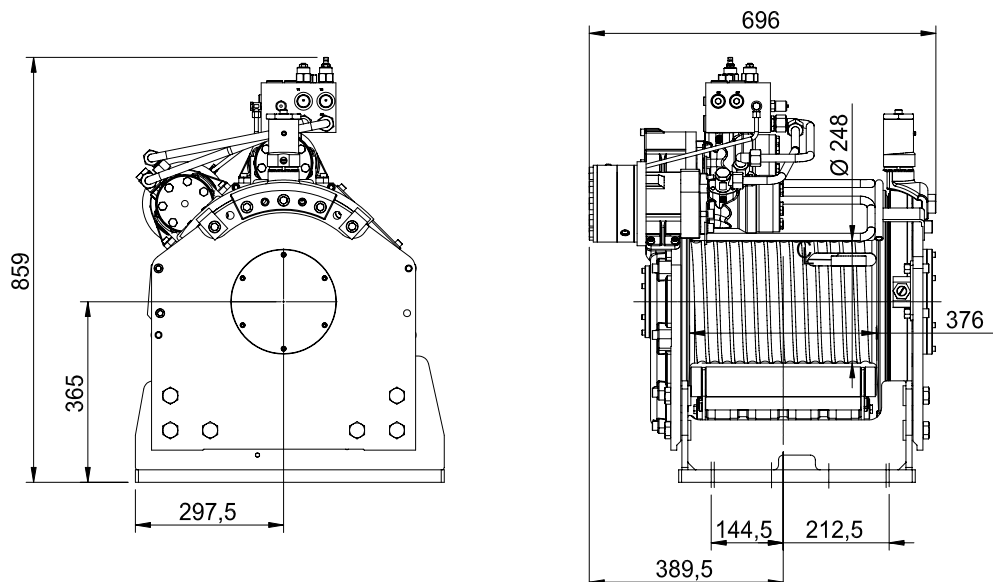
Winch weight

410 kg 921 Lbs

Rope weight

156 kg 350 Lbs

Dimensional drawing (dimensions in mm)



SEPSON AB
SE-780 50 Vansbro
Sweden
Tel +46 281 758 40
Fax +46 281 710 09
info@sepson.se
www.sepson.com

