



world  
class  
winches

# Hydraulic Planetary Gear Winches

## H120PF

Pneumatic freespool clutch Type No 63.31-068

### 12 TONNES WINCH



**Metric std.**      **US std.  
(approx.)**

#### Pulling force

- bottom rope layer	12.0 tonnes	26 500 Lbs
- top rope layer	8.0 tonnes	17 700 Lbs

#### Rope speed

- bottom rope layer	3.5 m/min	10 ft/min
- top rope layer	5.0 m/min	16 ft/min

#### Rope speed in high auto 2-speed

- bottom rope layer	n/a	n/a
- top rope layer	n/a	n/a

#### Max oil pressure

200 bar      2900 psi

#### Max oil flow

60 l/min      16 gal/min

#### Drum diameter

230 mm      9.06 inch

#### Rope diameter

19 mm      0.75 inch

(Acc. to DIN 14584, MBL ≥ 240 kN)

#### Rope length

50 m      164 ft

#### Numbers of layers

4      4

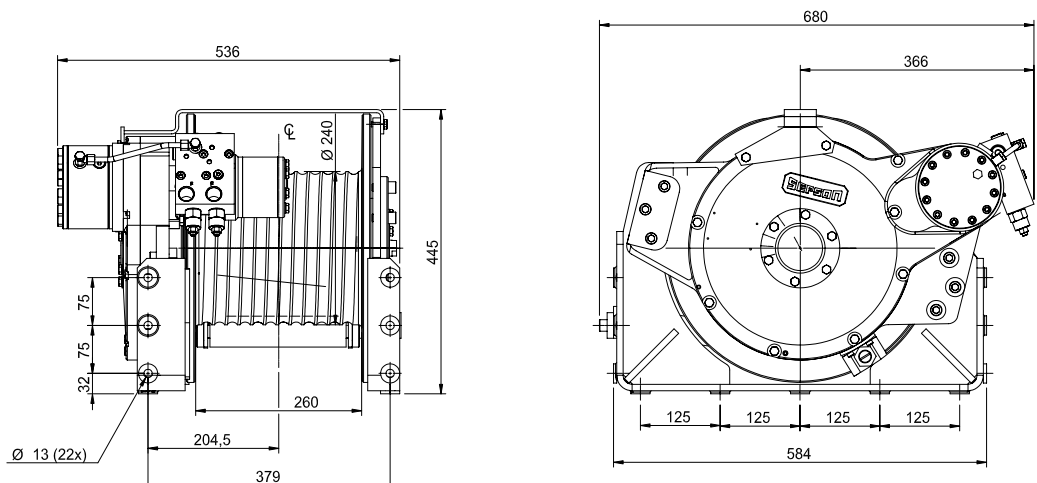
#### Winch weight

210 kg      472 Lbs

#### Rope weight

74 kg      163 Lbs

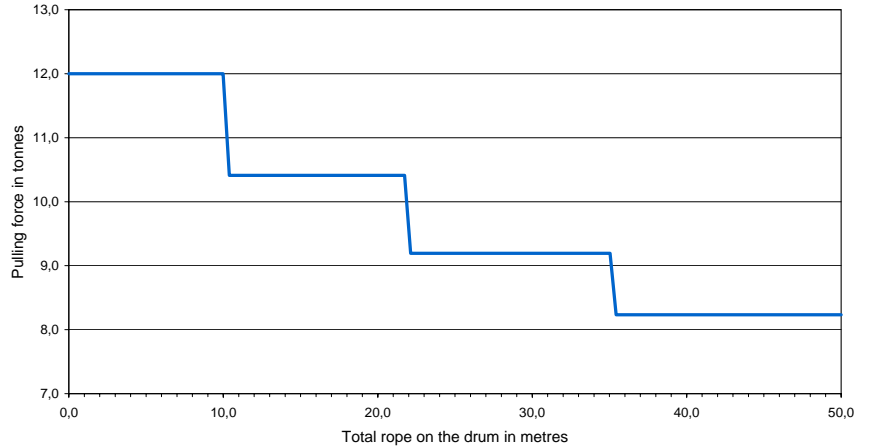
### Dimensional drawing (dimensions in mm)



SEPSON AB  
SE-780 50 Vansbro  
Sweden  
Tel +46 281 758 40  
Fax +46 281 710 09  
info@sepson.se  
www.sepson.com

### Pulling force over the rope length

	Pulling force (tonnes)	Rope speed (m/min)	Total Rope on the drum (m)
1st	12,0	3,5	10,2
2nd	10,4	4,0	21,9
3rd	9,2	4,5	35,2
4th	8,2	5,0	50,1



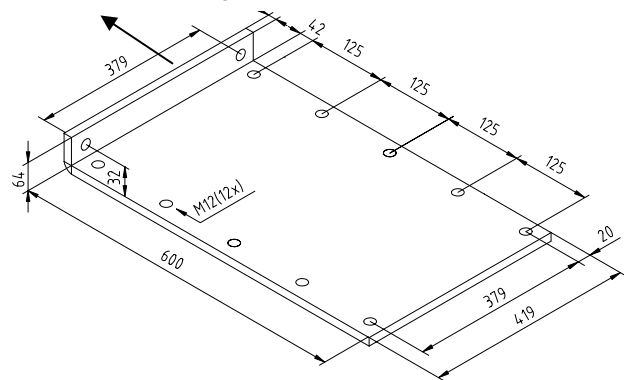
### Mounting instructions

The winch should be mounted on a 16 mm steel mounting plate fixed to the vehicle.

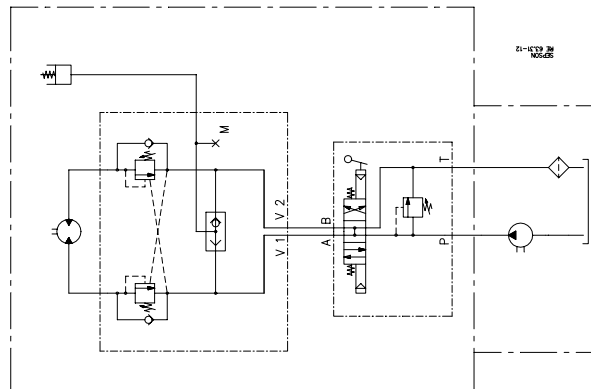
The winch must be fitted to the mounting plate with 12 bolts M6S M12x40 (hot galvanized) minimum quality 12.9.

Tightening torque 150 Nm (15 kpm) when oiled.

Direction of winching



### Hydraulic installation



#### Declaration of Conformity

According to the Machine Directive 98/37/EC, Annex IIA

**Sepson AB, P.O. Box 172, SE-780 50 Vansbro, Sweden** declare under our sole responsibility that:

The winch type 63.31 with serial numbers 1010-1962

- are manufactured according to the Machine Directive 98/37/EC
- are manufactured according to following harmonized standards – EN 292-1 and 2

Vansbro December 9, 2005. **Sepson AB** Ulf Jons Designer