



world
class
winches

Hydraulic Planetary Gear Winches

H100PF

Pneumatic freespool clutch Type No 63.31-061

12.5 TONNES WINCH



Metric std. **US std.
(approx.)**

Pulling force

- bottom rope layer	12.5 tonnes	27 500 Lbs
- top rope layer	9.0 tonnes	19 800 Lbs

Rope speed

- bottom rope layer	4.0 m/min	13 ft/min
- top rope layer	6.0 m/min	20 ft/min

Rope speed in high auto 2-speed

- bottom rope layer	n/a	n/a
- top rope layer	n/a	n/a

Max oil pressure

200 bar 2900 psi

Max oil flow

60 l/min 16 gal/min

Drum diameter

224 mm 8.82 inch

Rope diameter

16 mm 0.63 inch

(Acc. to DIN 14584, MBL ≥ 245 kN)

Rope length

40 m 131 ft

Numbers of layers

4 4

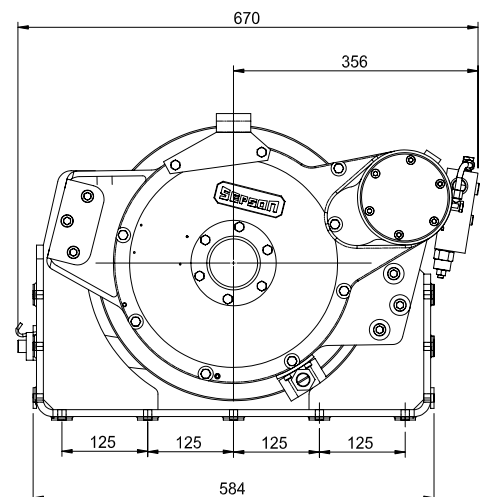
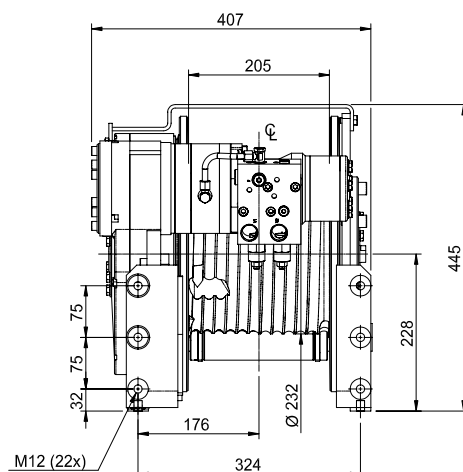
Winch weight

190 kg 427 Lbs

Rope weight

45 kg 100 Lbs

Dimensional drawing (dimensions in mm)



SEPSON AB
SE-780 50 Vansbro
Sweden
Tel +46 281 758 40
Fax +46 281 710 09
info@sepson.se
www.sepson.com

