



world  
class  
winches

# Hydraulic Planetary Gear Winches

## H100PX

Grooved for 14 mm rope Type No 63.31-056

### 10 TONNES WINCH WITH ROPE PAY-ON DEVICE



#### Pulling force

	Metric std.	US std. (approx.)
- bottom rope layer	10.0 tonnes	22 500 Lbs
- top rope layer	6.5 tonnes	14 600 Lbs

#### Rope speed

	Metric std.	US std. (approx.)
- bottom rope layer	6.0 m/min	20 ft/min
- top rope layer	9.5 m/min	31 ft/min

#### Rope speed in high auto 2-speed

	Metric std.	US std. (approx.)
- bottom rope layer	n/a	n/a
- top rope layer	n/a	n/a

#### Max oil pressure

200 bar 2900 psi

#### Max oil flow

60 l/min 16 gal/min

#### Drum diameter

224 mm 8.82 inch

#### Rope diameter

14 mm 0.55 inch

(Acc. to DIN 14584, MBL  $\geq$  197 kN)

#### Rope length

80 m 262 ft

#### Numbers of layers

6 6

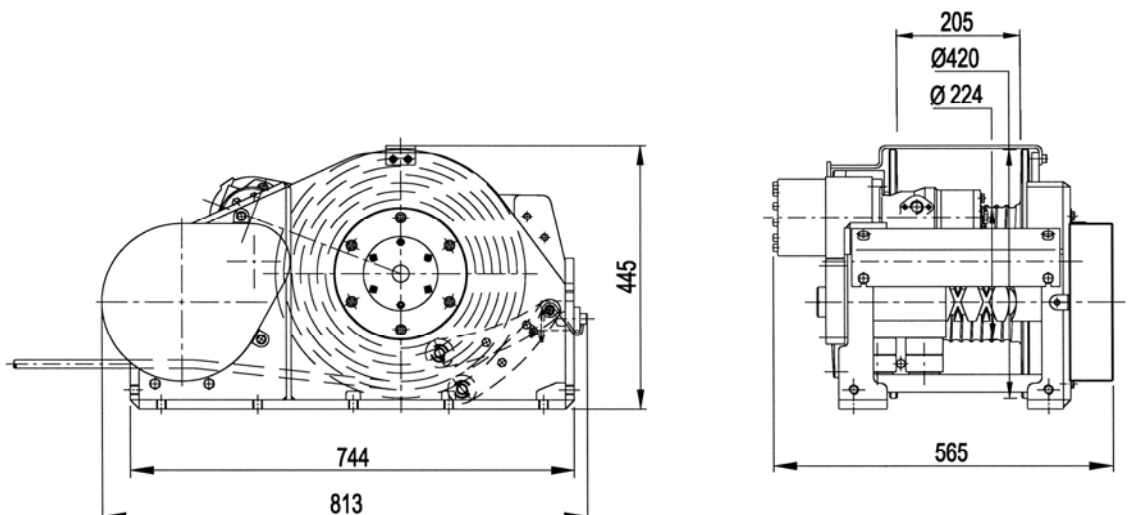
#### Winch weight

256 kg 575 Lbs

#### Rope weight

80 kg 180 Lbs

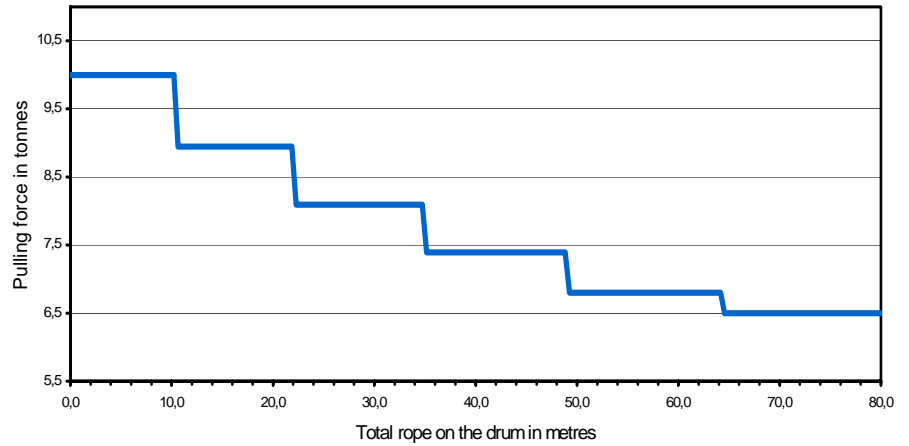
### Dimensional drawing (dimensions in mm)



SEPSON AB  
SE-780 50 Vansbro  
Sweden  
Tel +46 281 758 40  
Fax +46 281 710 09  
info@sepson.se  
www.sepson.com

### Pulling force over the rope length

	Pulling force (tonnes)	Rope speed (m/min)	Total Rope on the drum (m)
1st	10,0	6,0	10,4
2nd	8,9	7,0	22,1
3rd	8,1	7,5	34,9
4th	7,4	8,0	49,0
5th	6,8	9,0	64,4
6th	6,5	9,5	80,9

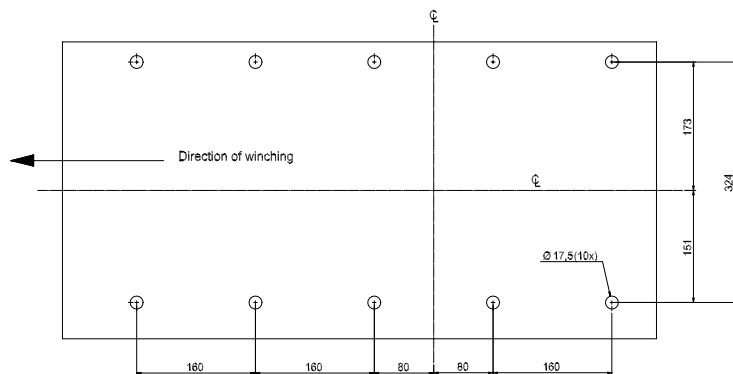


### Mounting instructions

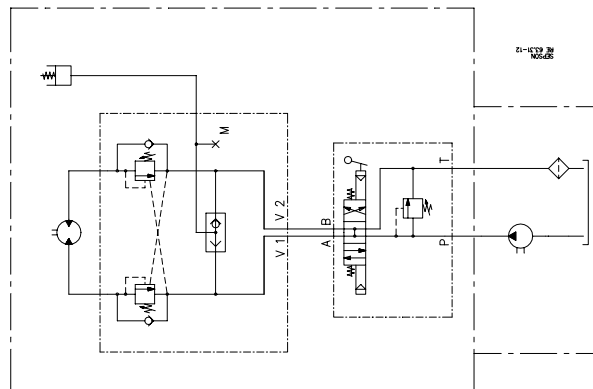
The winch should be mounted on a 16 mm steel mounting plate fixed to the vehicle.

The winch must be fitted to the mounting plate with 10 bolts M6S M16x40 (hot galvanized) minimum quality 8.8.

Tightening torque 210 Nm (21 kpm) when oiled.



### Hydraulic installation



#### Declaration of Conformity

According to the Machine Directive 98/37/EC, Annex IIA

**Sepson AB, P.O. Box 172, SE-780 50 Vansbro, Sweden** declare under our sole responsibility that:

The winch type 63.31 with serial numbers 1010-1962

- are manufactured according to the Machine Directive 98/37/EC
- are manufactured according to following harmonized standards – EN 292-1 and 2

Vansbro December 9, 2005. **Sepson AB** Ulf Jons Designer