



world
class
winches

Hydraulic Planetary Gear Winches

H100PF

Pneumatic freespool clutch Type No 63.31-050

10 TONNES WINCH



Pulling force

	Metric std.	US std. (approx.)
- bottom rope layer	10.0 tonnes	22 500 Lbs
- top rope layer	6.5 tonnes	14 600 Lbs

Rope speed

	Metric std.	US std. (approx.)
- bottom rope layer	6.0 m/min	20 ft/min
- top rope layer	9.0 m/min	30 ft/min

Rope speed in high auto 2-speed

	Metric std.	US std. (approx.)
- bottom rope layer	n/a	n/a
- top rope layer	n/a	n/a

Max oil pressure

160 bar 2300 psi

Max oil flow

60 l/min 16 gal/min

Drum diameter

224 mm 8.82 inch

Rope diameter

16 mm 0.63 inch

(Acc. to DIN 14584, MBL ≥ 197 kN)

Rope length

60 m 197 ft

Numbers of layers

5 5

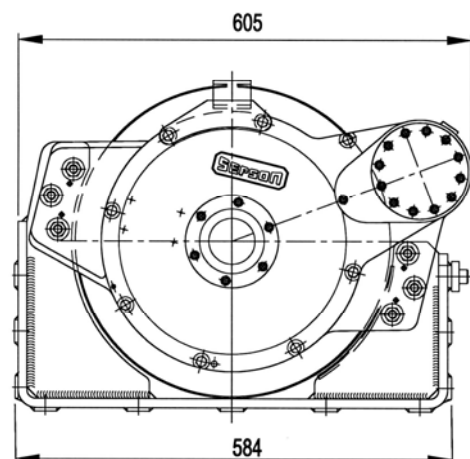
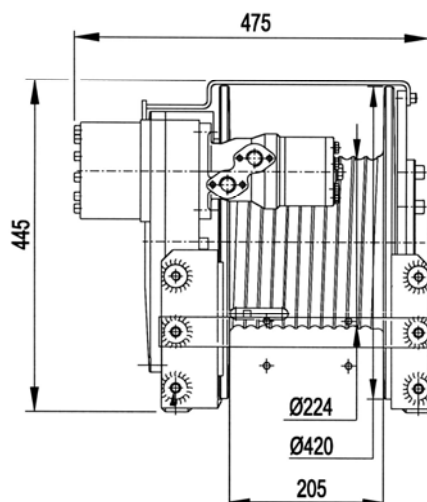
Winch weight

190 kg 427 Lbs

Rope weight

67 kg 151 Lbs

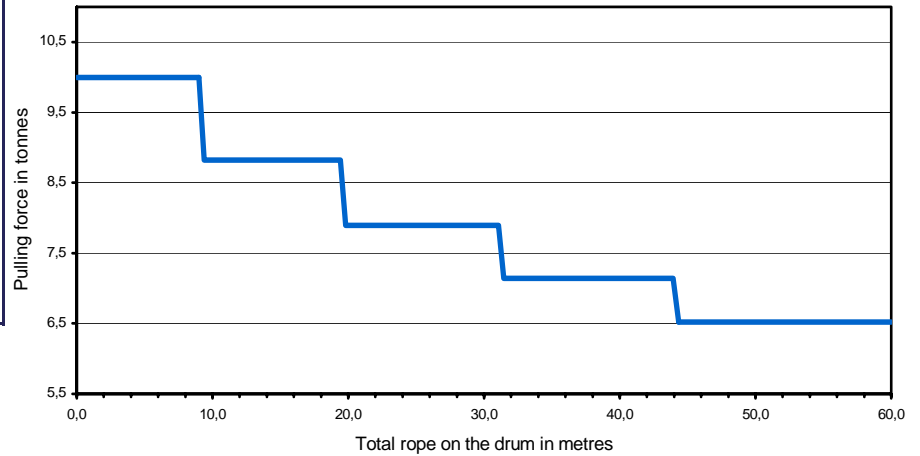
Dimensional drawing (dimensions in mm)



SEPSON AB
SE-780 50 Vansbro
Sweden
Tel +46 281 758 40
Fax +46 281 710 09
info@sepson.se
www.sepson.com

Pulling force over the rope length

	Pulling force (tonnes)	Rope speed (m/min)	Total Rope on the drum (m)
1st	10,0	6,0	9,2
2nd	8,8	7,0	19,6
3rd	7,9	7,5	31,3
4th	7,1	8,5	44,1
5th	6,5	9,0	58,2

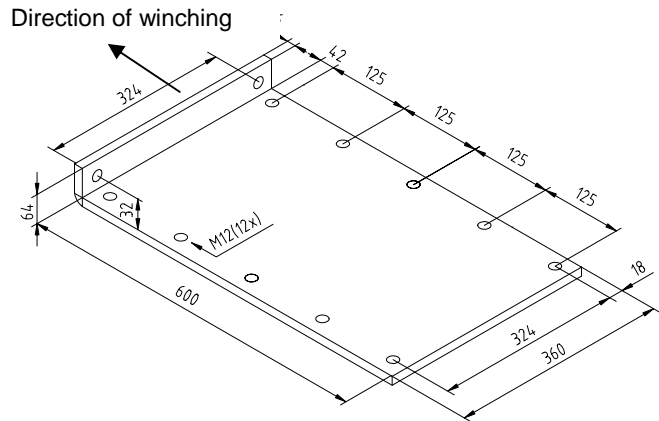


Mounting instructions

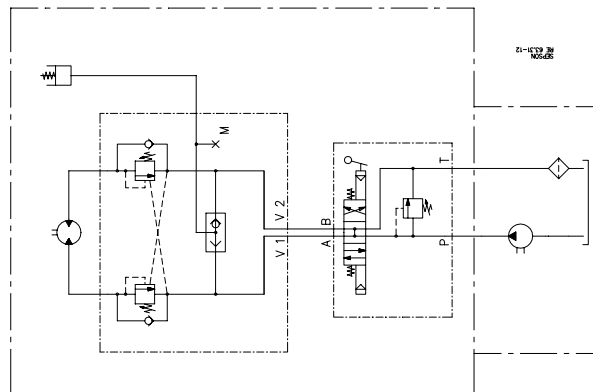
The winch should be mounted on a 16 mm steel mounting plate fixed to the vehicle.

The winch must be fitted to the mounting plate with 12 bolts M6S M12x40 (hot galvanized) minimum quality 12.9.

Tightening torque 150 Nm (15 kpm) when oiled.



Hydraulic installation



SEPSON AB
SE-780 50 Vansbro
Sweden
Tel +46 281 758 40
Fax +46 281 710 09
info@sepson.se
www.sepson.com

Declaration of Conformity

According to the Machine Directive 98/37/EC, Annex IIA

Sepson AB, P.O. Box 172, SE-780 50 Vansbro, Sweden declare under our sole responsibility that:

The winch type 63.31 with serial numbers 1010-1962

- are manufactured according to the Machine Directive 98/37/EC
- are manufactured according to following harmonized standards – EN 292-1 and 2

Vansbro December 9, 2005. **Sepson AB** Ulf Jons Designer