



world
class
winches

Hydraulic Planetary Gear Winches

H100P

Grooved for 16 mm rope
Type No 73.09-010
Type No 73.09-014

10 TONNES WINCH



Pulling force

	Metric std.	US std. (approx.)
- bottom rope layer	10.0 tonnes	22 500 Lbs
- top rope layer	7.0 tonnes	15 700 Lbs

Rope speed

	Metric std.	US std. (approx.)
- bottom rope layer	9.0 m/min	30 ft/min
- top rope layer	13.0 m/min	43 ft/min

Rope speed in high auto 2-speed

	Metric std.	US std. (approx.)
- bottom rope layer	n/a	n/a
- top rope layer	n/a	n/a

Max oil pressure

210 bar 3000 psi

Max oil flow

60 l/min 16 gal/min

Drum diameter

216 mm 8.50 inch

Rope diameter

16 mm 0.63 inch

(Acc. to DIN 14584, MBL ≥ 197 kN)

Rope length

60 m 197 ft

Numbers of layers

4 4

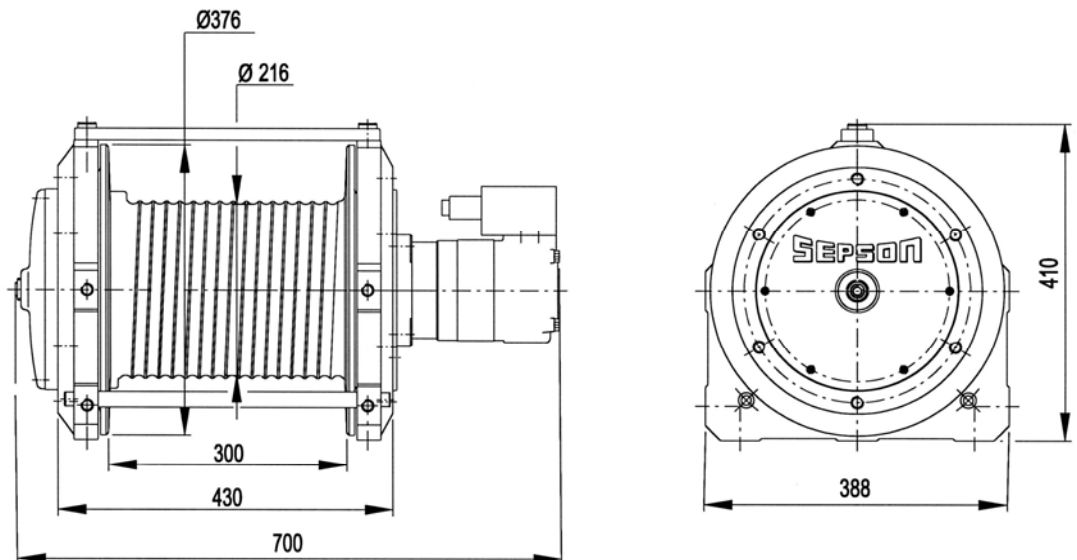
Winch weight

175 kg 393 Lbs

Rope weight

66 kg 148 Lbs

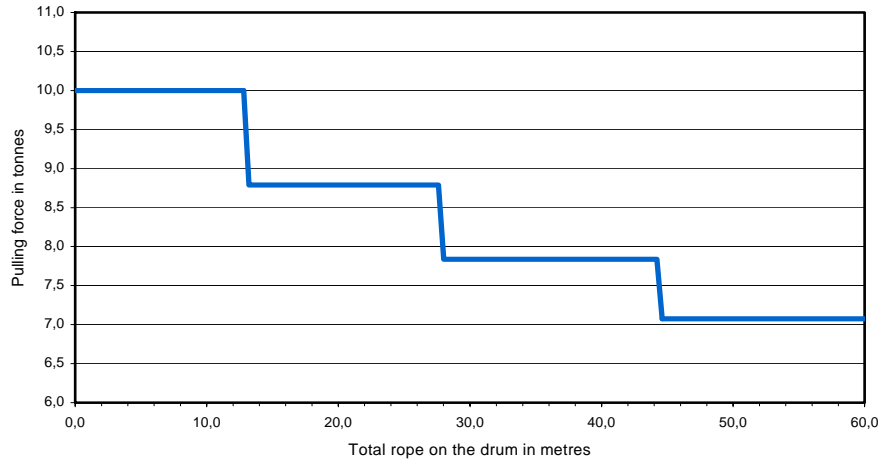
Dimensional drawing (dimensions in mm)



SEPSON AB
SE-780 50 Vansbro
Sweden
Tel +46 281 758 40
Fax +46 281 710 09
info@sepson.se
www.sepson.com

Pulling force over the rope length

	Pulling force (tonnes)	Rope speed (m/min)	Total Rope on the drum (m)
1st	10,0	9,0	13,0
2nd	8,8	10,5	27,8
3rd	7,8	11,5	44,4
4th	7,0	13,0	62,8

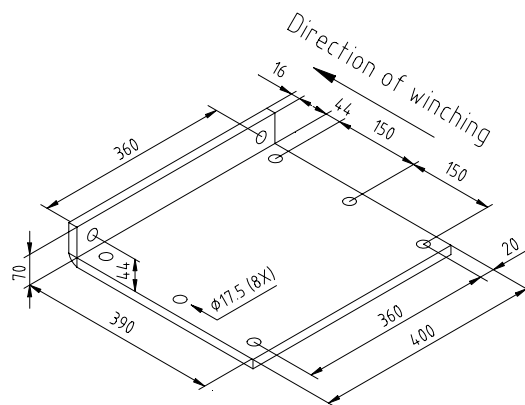


Mounting instructions

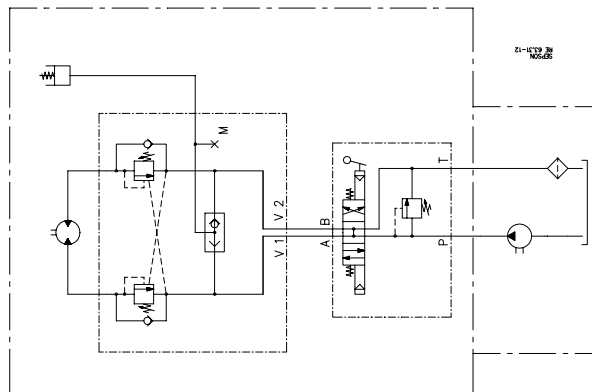
The winch should be mounted on a 16 mm steel mounting plate fixed to the vehicle.

The winch must be fitted to the mounting plate with 8 bolts M6S M16x40 (hot galvanized) minimum quality 8.8.

Tightening torque 210 Nm (21 kpm) when oiled.



Hydraulic installation



Declaration of Conformity

According to the Machine Directive 98/37/EC, Annex IIA

Sepson AB, P.O. Box 172, SE-780 50 Vansbro, Sweden declare under our sole responsibility that:

The winch type 73.09 with serial numbers 110-770

- are manufactured according to the Machine Directive 98/37/EC
- are manufactured according to following harmonized standards – EN 292-1 and 2

Vansbro December 9, 2005. **Sepson AB** Ulf Jons Designer